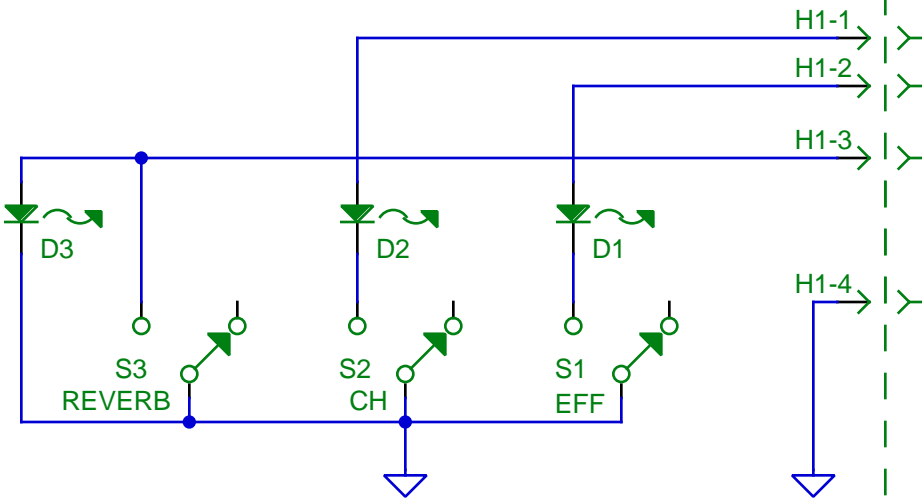


30-03601 Rev (-)



CARVIN

12340 World Trade Drive
San Diego, CA 92128
(619) 487-1600
FAX 487-6629

FOOTSWITCH SCHEMATIC

(FS 36)

DRAWN BY:

C. McEUEN

DATE:

4 MAY 1989

APPROVED:

DATE:

PCB

NO: 30-03601

REV:

Rev -

ASSY.

NO: 80-03601

REV:

REVISED BY:

DATE: