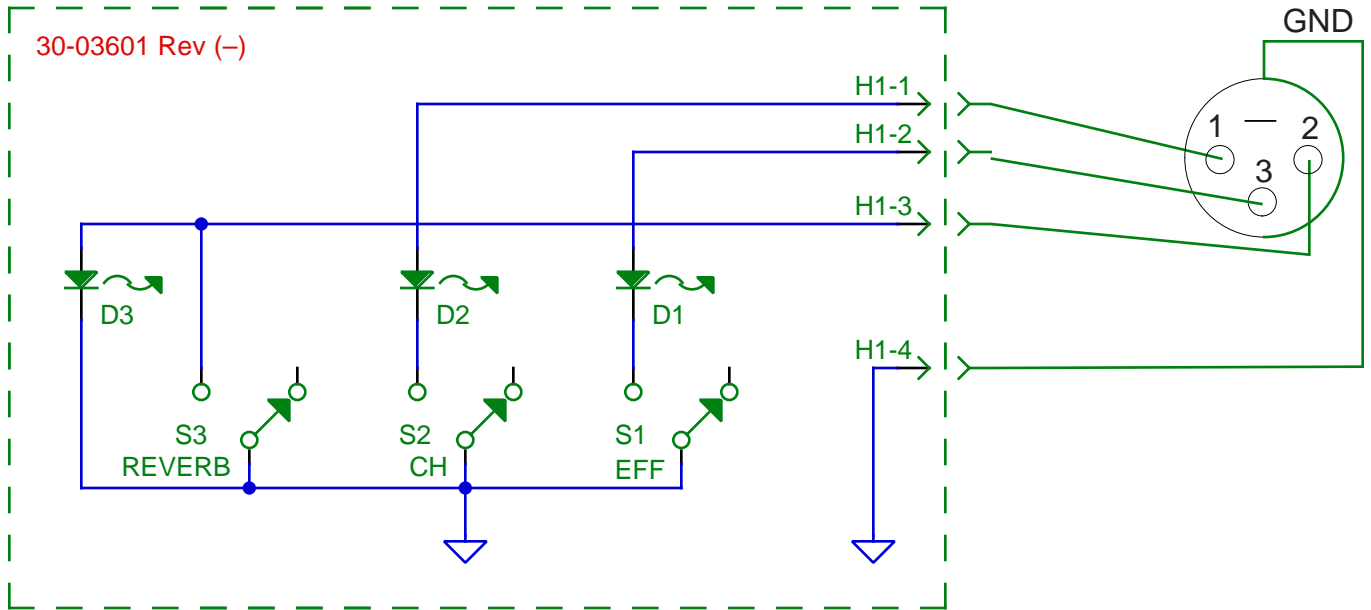


You will need a 4 conductor cable and a Female XLR connector
 A FS-22 can be modified to an FS-36 by adding a 3rd switch and new cable.



Pin 1 to ground switches channels
 Pin 2 to ground turns EFF2, Reverb or Graphic EQ off
 Pin 3 to ground turns on EFF1 or Volume Boost

A FS-22 can be modified to run two of the three functions by just changing the connector.

CARVIN		12340 World Trade Drive San Diego, CA 92128 (619) 487-1600 FAX 487-6629	
FOOTSWITCH SCHEMATIC			
(FS 36)			
DRAWN BY:		DATE:	
C. McEUEN		4 MAY 1989	
APPROVED:		DATE:	
PCB NO:		REV:	
30-03601		Rev -	
ASSY. NO:		REV:	
80-03601			
REVISED BY:		DATE:	